

# UJB-DHD PIN OUTS

LEMO 0B.304  
1. GND  
2. 12VDC  
3. TALLY  
4.

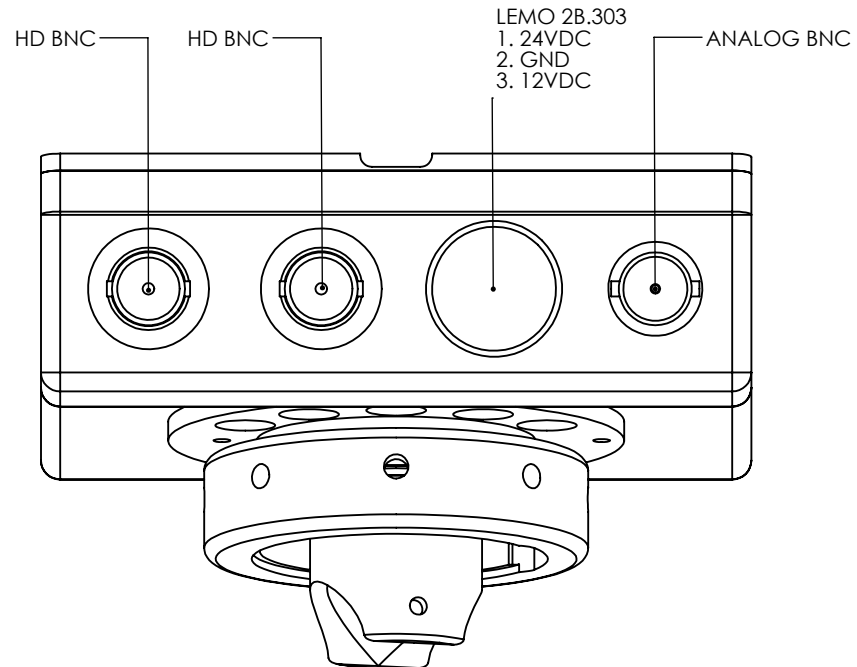
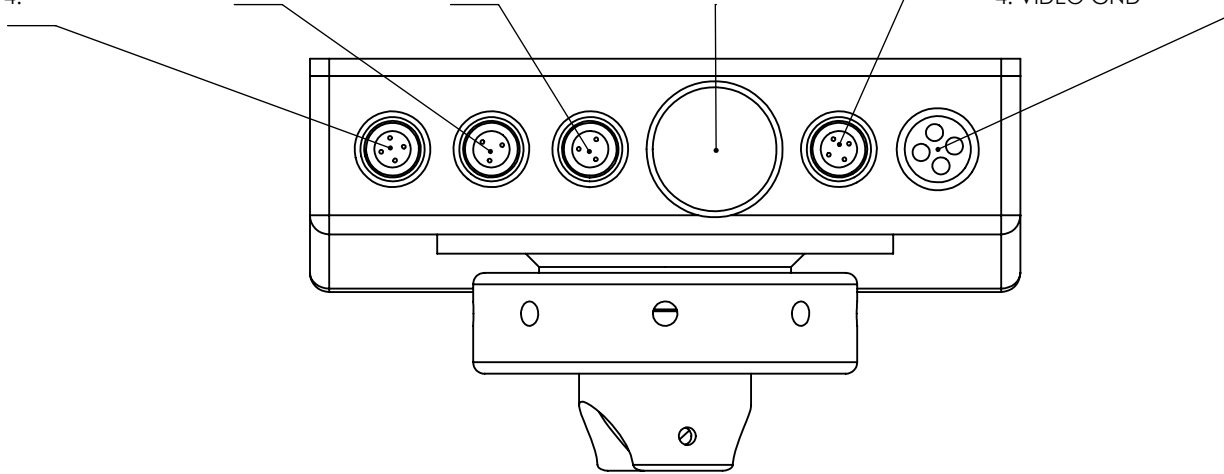
LEMO 0B.303  
1. GND  
2. 12VDC  
3. 24 VDC

LEMO 0B.303  
1. GND  
2. 12VDC  
3. 24VDC

LEMO 2B.303  
1. 24VDC  
2. GND  
3. 12VDC

LEMO 0B.304  
1. GND  
2. 12VDC  
3. VIDEO  
4. VIDEO GND

HIROSE  
1. GND  
2. VIDEO GND  
3. VIDEO  
4. 12VDC



# LJB-DHD PIN OUTS

